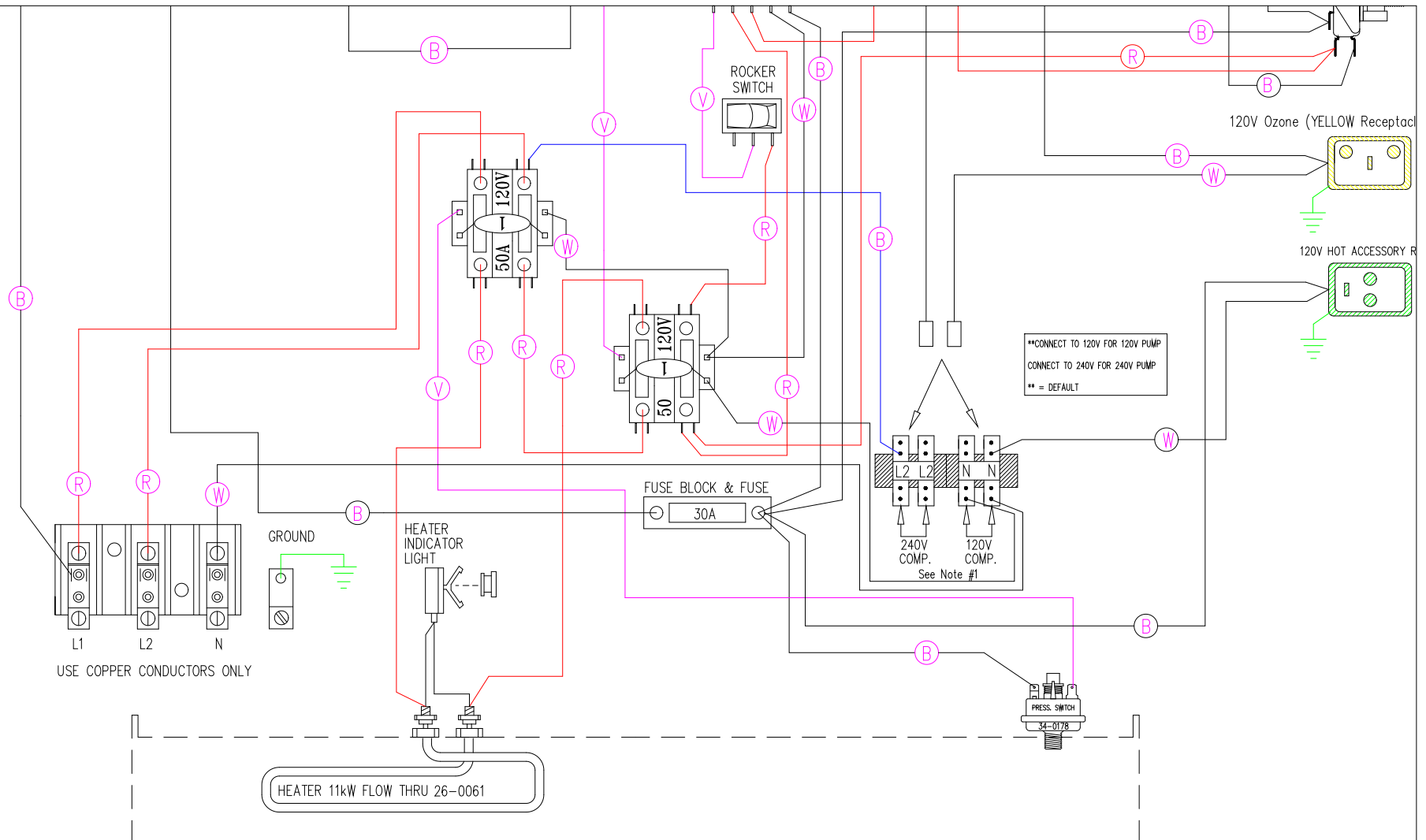


**CONNECT TO 120V FOR 120V PUMP
 CONNECT TO 240V FOR 240V PUMP
 ** = DEFAULT

USE COPPER CONDUCTORS ONLY

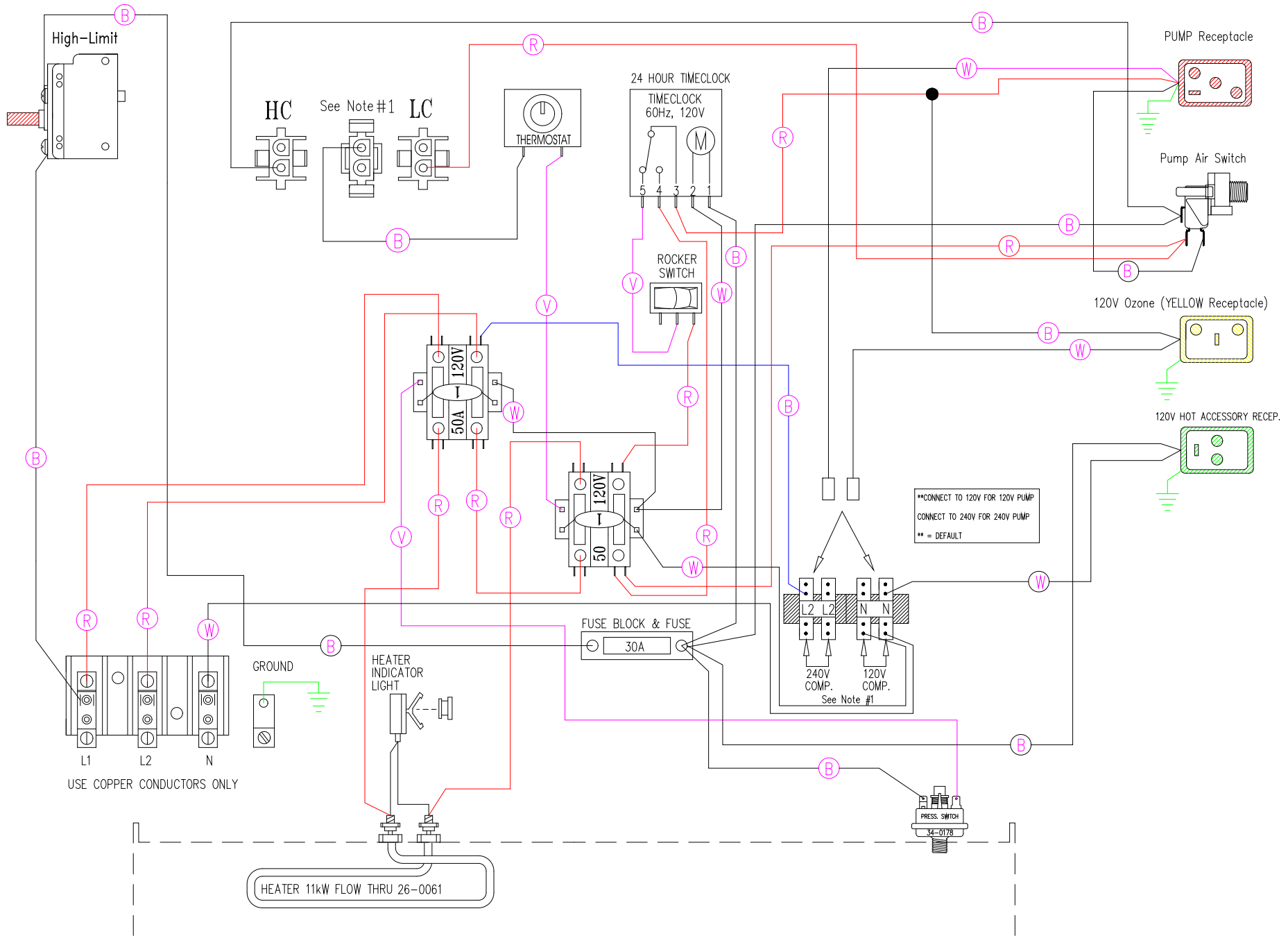
Manufacture Notes: #1 - Low Current (heater off w/high-speed pump or blower) or High Current (no heater restriction)

Drawn MBS	Rev 01	Wire Color Code B - Black G - Green Br - Brown Bl - Blue R - Red V - Violet O - Orange W - White Y - Yellow Gr - Gray
Date 04.29.10		
Diagram No. 8221		



Manufacture Notes: #1 - Low Current (heater off w/high-speed pump or blower) or High Current (no heater restriction)

Drawn MBS	Rev 01	Wire Color Co
Date 04.29.10		B - Black G - Green
Diagram No. 8221		Br - Brown Bl - Blue
		R - Red V - Violet
		O - Orange W - White
		Y - Yellow Gr - Grey



Manufacture Notes: #1 - Low Current (heater off w/high-speed pump or blower) or High Current (no heater restriction)

Drawn MBS	Rev 01	Wire Color Code B - Black G - Green Br - Brown Bl - Blue R - Red V - Violet O - Orange W - White Y - Yellow Gr - Gray
Date 04.29.10		
Diagram No. 8221		